

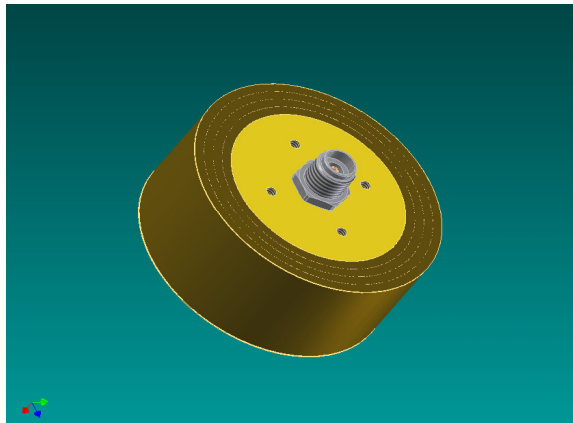


HIGH PERFORMANCE  
ANTENNAS

PRODUCT DATA 30420

**OMNI BICONICAL ANTENNA, 18.0 - 40.0 GHz**  
**P/N: 30420**

Frequency - GHz	18.0 - 40.0	
Polarization	SLANT LINEAR	- 45°
Gain - dBiS	2.0	Minimum, for 360° in Azimuth @ Elevation = 0°
Beamwidth - Deg	360	Azimuth
	25 - 50	Elevation
Deviation from Omni - dB	± 3.0	
VSWR	2.0 : 1	Maximum. (Typical <1.8:1)
Power - Watts	10.0	CW
Connector	K-Type	Female
Weight - Grams	50	Maximum
Environment	Flight	To 55,000 Feet



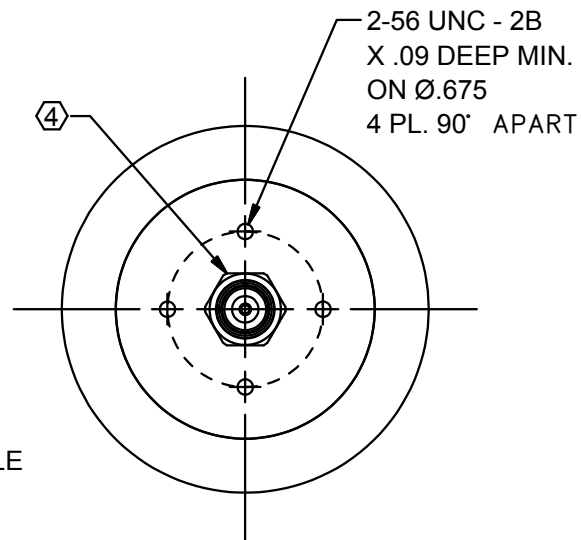
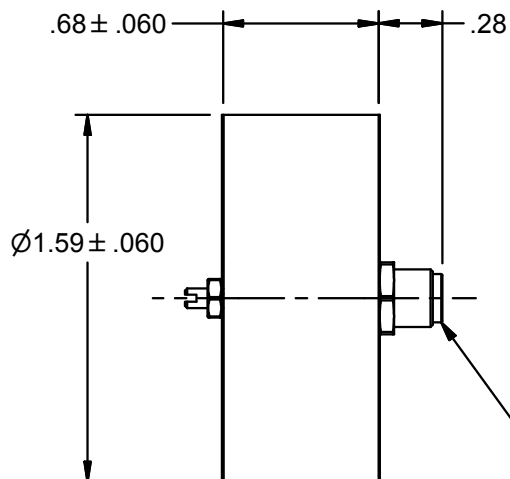
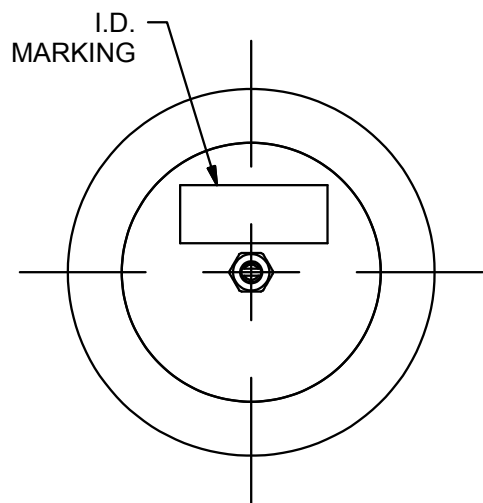
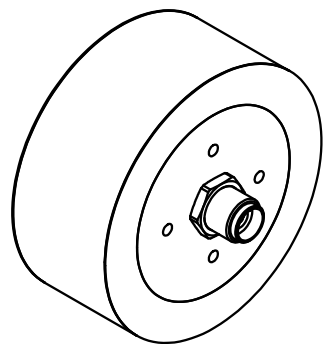
**AMT MICROWAVE CORPORATION**  
**850 CALLE PLANO CAMARILLO CA 93012**  
**(T) 805-384-1560 (F) 805-384-1563**



AMT PROPRIETARY INFORMATION

REVISION HISTORY

REV	DESCRIPTION	DATE	APPROVED
A	DESIGN RELEASE	19APR02	SH



CONNECTOR, K-TYPE, FEMALE

- 1. POLARIZATION: SLANT LINEAR, -45 DEGREES.
- 2. WEIGHT: 50 GRAMS MAXIMUM.
- 3. FINISH: ALUMINUM PARTS: CHEMICAL CONVERSION PER MIL-C-55451.
- ④ CONNECTOR FLANGE ORIENTATION SHOWN FOR REFERENCE ONLY.

NOTES: UNLESS OTHERWISE SPECIFIED.

PREPARED BY SONBJ	DATE 4/15/2002
APPROVED BY SH	DATE 4/19/2002
UNLESS OTHERWISE NOTED DIM AND TOL PER ANSI Y14.5 MACH 125 ✓ PER ANSI B461 REMOVE BURRS AND SHARP EDGES .010 MAX TOL: .XX±.030 .XXX±.005 ANGLE±1°	



AMT MICROWAVE CORPORATION  
CAMARILLO CA 93012

TITLE  
OMNI BICONICAL ANTENNA,  
18 - 40 GHz

SIZE A	CAGE CODE 6AB36	DWG NO 30420	REV A
MATERIALS: PLEASE SEE NOTES		SCALE: NTS	SHEET 1 OF 1